

Product information presented here reflects conditions at time of publication. Consult factory regarding discrepancies or inconsistencies.

MAIL TO: P.O. BOX 16347 • Louisville, KY 40256-0347
SHIP TO: 3649 Cane Run Road • Louisville, KY 40211-1961
TEL: (502) 778-2731 • 1 (800) 928-PUMP • **FAX:** (502) 774-3624

Visit our web site:
zoellerpumps.com

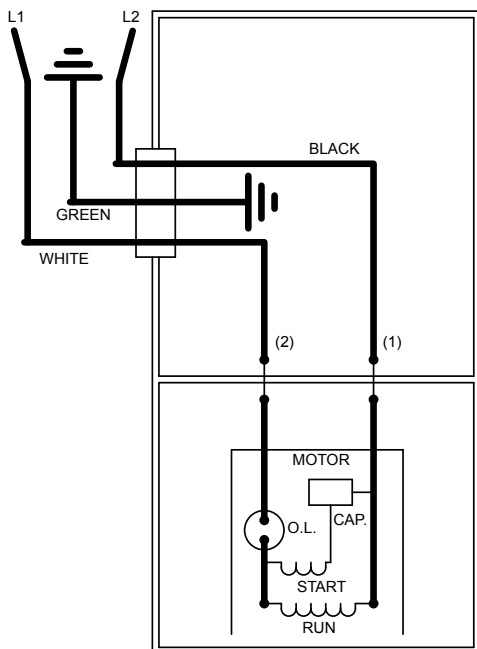
REPLACEMENT PARTS LIST FOR MODELS:

**N151 NONAUTOMATIC 115V, BN151 AUTOMATIC 115V
E151 NONAUTOMATIC 230V, BE151 AUTOMATIC 230V
N152 NONAUTOMATIC 115V, BN152 AUTOMATIC 115V
WM152 AUTOMATIC w/WIRED FLOAT SWITCH 115V
E152 NONAUTOMATIC 230V, BE152 AUTOMATIC 230V
N153 NONAUTOMATIC 115V, BN153 AUTOMATIC 115V
E153 NONAUTOMATIC 230V, BE153 AUTOMATIC 230V**

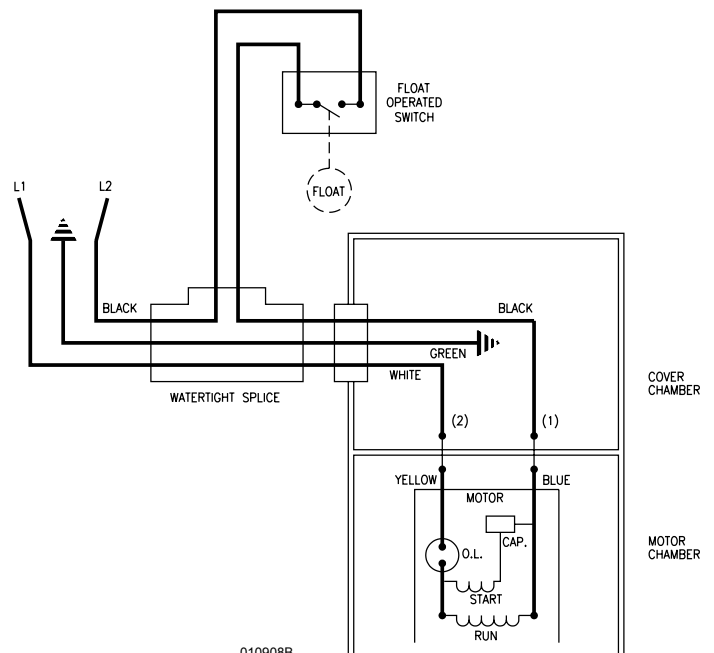
TO ORDER REPLACEMENT PARTS:

PLEASE FURNISH THE FOLLOWING INFORMATION:

- Model Number.
- Part Number of Pump.
- Part Number and Description of part.



009059



010908B

WIRING DIAGRAM FOR MODELS
"N/BN151-A & B", "E/BE151-A & B" 05/02 thru Current and
"N/BN152-A & B", "E/BE152-A & B" and
"N/BN153-A & B", "E/BE153-A & B"
07/00 thru Current

WIRING DIAGRAM FOR MODEL
"WM152-A" 06/03 thru 10/06
"WM152-B" 11/06 thru Current

REPLACEMENT PARTS LIST FOR MODEL "N151"

| | | | | MODEL: | | N151-A | N151-B |
|----------|--|------|-------|------------------|--------------------|--------|--------|
| REF. NO. | DESCRIPTION | QTY. | NOTES | 05/02 thru 11/06 | 12/06 thru Current | | |
| 1 | • GASKET,CASE/COVER | 1 | | 034046 | 034046 | | |
| 2 | • CLAMP,STRAIN RELIEF-#2F | 1 | | 004200 | 004200 | | |
| 3 | • SEAL,CORD-ASM | 1 | | 004322 | 004322 | | |
| 4 | • CORD TERM&SEAL 115V/20'/18-3 SJTW/15A PLUG | 1 | | 014530 | 014530 | | |
| 5 | • SCREW,STATOR 8-32 X 2.13"LG | 2 | | 015133 | 015133 | | |
| 6 | STATOR W-SCREWS 115V/1PH/.33HP/"151" | 1 | | 016924 | 018183 | | |
| 7 | ROTOR & BEARING ASM 115/230V/1PH/.33HP/"151" | 1 | | 017061 | 018184 | | |
| 8 | • SEAL,MTR HSG | 1 | | 034007 | 034007 | | |
| 9 | BEARING, RADIAL | 1 | | 015355 | 009540 | | |
| 10 | • OIL,DIELECTRIC-(30.5 OZ) | 1 | | 007051 | 007051 | | |
| 11 | HOUSING,PUMP-MACH "151" | 1 | | 015080 | 018202 | | |
| 12 | • SEAL ASM,SHAFT/.5"(JOHN CRANE TYPE 6A)"/140/270" | 1 | | 011681 | 011681 | | |
| 13 | IMPELLER-PLASTIC "151" | 1 | | 015147 | 015147 | | |
| 14 | BASE ASM "53/55" | 1 | | 002690 | 002690 | | |
| 15 | COVER & HANDLE "97" | 1 | | 002580 | 002580 | | |
| 16 | • PLUG,TEST-WHITE | 2 | | 034090 | 034090 | | |
| 17 | • SCREW,#10-24 X.75 RHM-SL SS | 16 | | 001885 | 001885 | | |
| 18 | • SCREW,#6-32X.25RHM SL TC | 1 | | 001877 | 001877 | | |
| 19 | • SEAL,THRU WALL TERM | 2 | | 003402 | 003402 | | |
| 20 | HOUSING,MTR-& TERM ASM "50" | 1 | | 004712 | 004712 | | |
| ☐ | REBUILD KIT 230V/"151" | 1 | | 017062 | 017062 | | |

NOTES :

- 1) See FM0160 Parts Price Sheet for listing of parts prices.
- 2) "NA" indicates, not applicable.

REPLACEMENT PARTS LIST FOR MODEL "BN151"

| | | | | MODEL: | | BN151-A | BN151-B |
|----------|--|------|-------|------------------|--------------------|---------|---------|
| REF. NO. | DESCRIPTION | QTY. | NOTES | 05/02 thru 11/06 | 12/06 thru Current | | |
| 1 | • GASKET,CASE/COVER | 1 | | 034046 | 034046 | | |
| 2 | • CLAMP,STRAIN RELIEF-#2F | 1 | | 004200 | 004200 | | |
| 3 | • SEAL,CORD-ASM | 1 | | 004322 | 004322 | | |
| 4 | • CORD TERM&SEAL 115V/20'/18-3 SJTW/15A PLUG | 1 | | 014530 | 014530 | | |
| 5 | • SCREW,STATOR 8-32 X 2.13"LG | 2 | | 015133 | 015133 | | |
| 6 | STATOR W-SCREWS 115V/1PH/.33HP/"151" | 1 | | 016924 | 018183 | | |
| 7 | ROTOR & BEARING ASM 115/230V/1PH/.33HP/"151" | 1 | | 017061 | 018184 | | |
| 8 | • SEAL,MTR HSG | 1 | | 034007 | 034007 | | |
| 9 | BEARING, RADIAL | 1 | | 015355 | 009540 | | |
| 10 | • OIL,DIELECTRIC-(30.5 OZ) | 1 | | 007051 | 007051 | | |
| 11 | HOUSING,PUMP-MACH "151" | 1 | | 015080 | 018202 | | |
| 12 | • SEAL ASM,SHAFT/.5"(JOHN CRANE TYPE 6A)"/140/270" | 1 | | 011681 | 011681 | | |
| 13 | IMPELLER-PLASTIC "151" | 1 | | 015147 | 015147 | | |
| 14 | BASE ASM "53/55" | 1 | | 002690 | 002690 | | |
| 15 | COVER & HANDLE "97" | 1 | | 002580 | 002580 | | |
| 16 | • PLUG,TEST-WHITE | 2 | | 034090 | 034090 | | |
| 17 | • SCREW,#10-24 X.75 RHM-SL SS | 16 | | 001885 | 001885 | | |
| 18 | • SCREW,#6-32X.25RHM SL TC | 1 | | 001877 | 001877 | | |
| 19 | • SEAL,THRU WALL TERM | 2 | | 003402 | 003402 | | |
| 20 | HOUSING,MTR-& TERM ASM "50" | 1 | | 004712 | 004712 | | |
| 21 | SWITCH,MECH FLT/SPB/115V/20'CD/13AMP/.5HP/N.O. | 1 | | 009819 | 009819 | | |
| ☐ | REBUILD KIT 230V/"151" | 1 | | 017062 | 017062 | | |

• Items included in Rebuild Kit. ☐ Not shown in illustration. SEE NOTES AT RIGHT.

REPLACEMENT PARTS LIST FOR MODEL "E151"

| REF. NO. | DESCRIPTION | QTY. | MODEL: NOTES | E151-A | E151-B |
|----------|--|------|--------------|------------------|--------------------|
| | | | | 05/02 thru 11/06 | 12/06 thru Current |
| 1 | • GASKET,CASE/COVER | 1 | | 034046 | 034046 |
| 2 | • CLAMP,STRAIN RELIEF-#2F | 1 | | 004200 | 004200 |
| 3 | • SEAL,CORD-ASM | 1 | | 014597 | 014597 |
| 4 | • CORD TERM&SEAL 230V/20'/18-3 SOW/15A PLUG | 1 | | 014531 | 014531 |
| 5 | • SCREW,STATOR 8-32 X 2.13"LG | 2 | | 015133 | 015133 |
| 6 | STATOR W-SCREWS 230V/1PH/.33HP/"151" | 1 | | 017066 | 018185 |
| 7 | ROTOR & BEARING ASM 115/230V/1PH/.33HP/"151" | 1 | | 017061 | 018184 |
| 8 | • SEAL,MTR HSG | 1 | | 034007 | 034007 |
| 9 | BEARING, RADIAL | 1 | | 015355 | 009540 |
| 10 | • OIL,DIELECTRIC-(30.5 OZ) | 1 | | 007051 | 007051 |
| 11 | HOUSING,PUMP-MACH "151" | 1 | | 015080 | 018202 |
| 12 | • SEAL ASM,SHAFT/.5"(JOHN CRANE TYPE 6A)/"140/270" | 1 | | 011681 | 011681 |
| 13 | IMPELLER-PLASTIC "151" | 1 | | 015147 | 015147 |
| 14 | BASE ASM "53/55" | 1 | | 002690 | 002690 |
| 15 | COVER & HANDLE "97" | 1 | | 002580 | 002580 |
| 16 | • PLUG,TEST-WHITE | 2 | | 034090 | 034090 |
| 17 | • SCREW,#10-24 X.75 RHM-SL SS | 16 | | 001885 | 001885 |
| 18 | • SCREW,#6-32X.25RHM SL TC | 1 | | 001877 | 001877 |
| 19 | • SEAL,THRU WALL TERM | 2 | | 003402 | 003402 |
| 20 | HOUSING,MTR-& TERM ASM "50" | 1 | | 004712 | 004712 |
| α | REBUILD KIT 230V/"151" | 1 | | 017063 | 017063 |

NOTES :

- 1) See FM0160 Parts Price Sheet for listing of parts prices.
- 2) "NA" indicates, not applicable.

REPLACEMENT PARTS LIST FOR MODEL "BE151"

| REF. NO. | DESCRIPTION | QTY. | MODEL: NOTES | BE151-A | BE151-B |
|----------|--|------|--------------|------------------|--------------------|
| | | | | 05/02 thru 11/06 | 12/06 thru Current |
| 1 | • GASKET,CASE/COVER | 1 | | 034046 | 034046 |
| 2 | • CLAMP,STRAIN RELIEF-#2F | 1 | | 004200 | 004200 |
| 3 | • SEAL,CORD-ASM | 1 | | 014597 | 014597 |
| 4 | • CORD TERM&SEAL 230V/20'/18-3 SOW/15A PLUG | 1 | | 014531 | 014531 |
| 5 | • SCREW,STATOR 8-32 X 2.13"LG | 2 | | 015133 | 015133 |
| 6 | STATOR W-SCREWS 230V/1PH/.33HP/"151" | 1 | | 017066 | 018185 |
| 7 | ROTOR & BEARING ASM 115/230V/1PH/.33HP/"151" | 1 | | 017061 | 018184 |
| 8 | • SEAL,MTR HSG | 1 | | 034007 | 034007 |
| 9 | BEARING, RADIAL | 1 | | 015355 | 009540 |
| 10 | • OIL,DIELECTRIC-(30.5 OZ) | 1 | | 007051 | 007051 |
| 11 | HOUSING,PUMP-MACH "151" | 1 | | 015080 | 018202 |
| 12 | • SEAL ASM,SHAFT/.5"(JOHN CRANE TYPE 6A)/"140/270" | 1 | | 011681 | 011681 |
| 13 | IMPELLER-PLASTIC "151" | 1 | | 015147 | 015147 |
| 14 | BASE ASM "53/55" | 1 | | 002690 | 002690 |
| 15 | COVER & HANDLE "97" | 1 | | 002580 | 002580 |
| 16 | • PLUG,TEST-WHITE | 2 | | 034090 | 034090 |
| 17 | • SCREW,#10-24 X.75 RHM-SL SS | 16 | | 001885 | 001885 |
| 18 | • SCREW,#6-32X.25RHM SL TC | 1 | | 001877 | 001877 |
| 19 | • SEAL,THRU WALL TERM | 2 | | 003402 | 003402 |
| 20 | HOUSING,MTR-& TERM ASM "50" | 1 | | 004712 | 004712 |
| 21 | SWITCH,MECH FLT/SPB/230V/20'CD/15AMP/2HP | 1 | | 10-0559 | 10-0559 |
| α | REBUILD KIT 230V/"151" | 1 | | 017063 | 017063 |

• Items included in Rebuild Kit. α Not shown in illustration. SEE NOTES AT RIGHT.

REPLACEMENT PARTS LIST FOR MODEL "N152"

| MODEL: | | | | | |
|----------|-----------------------------------|------|-------|------------------|--------------------|
| REF. NO. | DESCRIPTION | QTY. | NOTES | N152-A | N152-B |
| | | | | 07/00 thru 10/06 | 11/06 thru Current |
| 1 | • Gasket, Case Cover | 1 | | 034046 | 034046 |
| 2 | • Clamp, Strain Relief-Red | 1 | | 004200 | 004200 |
| 3 | • Seal, Cord Asm | 1 | | 004322 | 004322 |
| 4 | Cord Term & Seal 20' | 1 | | 014530 | 014530 |
| 5 | • Screw, #8-32x2.563 Rhpl-Stlbo | 2 | | 001914 | 001914 |
| 6 | Stator w/Screws | 1 | | 014532 | 018179 |
| 7 | Rotor Asm 115/230V/1Ph | 1 | | 014536 | 018182 |
| 8 | • Seal, Motor Housing | 1 | | 034007 | 034007 |
| 9 | Bearing, Radial | 1 | | 009540 | 009540 |
| 10 | • Oil, Dielectric (30.5 oz can) | 1 | | 007051 | 007051 |
| 11 | Housing, Pump-Mach | 1 | | 014229 | 018202 |
| 12 | • Seal Asm | 1 | | 011681 | 011681 |
| 13 | Impeller | 1 | | 013243 | 013243 |
| 14 | Base-Mach | 1 | | 014230 | 154547 |
| 15 | Cover Handle | 1 | | 002580 | 002580 |
| 16 | • Plug, Test-White | 2 | | 034090 | 034090 |
| 17 | • Screw #10-24x.75 RHM-SI SS | 12 | | 001885 | 001885 |
| 18 | • Screw #6-32x.25 RHM SI Tc Stlgr | 1 | | 001877 | 001877 |
| 19 | • Seal, Thru-Wall Term | 2 | | 003402 | 003402 |
| 20 | Housing, Motor | 1 | | 004712 | 004712 |
| 21 | Float Switch | 1 | 2 | N/A | N/A |
| ▣ | Rebuild Kit | 1 | | 014538 | 014538 |

REPLACEMENT PARTS LIST FOR MODEL "BN152"

| MODEL: | | | | | |
|----------|-----------------------------------|------|-------|------------------|--------------------|
| REF. NO. | DESCRIPTION | QTY. | NOTES | BN152-A | BN152-B |
| | | | | 11/00 thru 10/06 | 11/06 thru Current |
| 1 | • Gasket, Case Cover | 1 | | 034046 | 034046 |
| 2 | • Clamp, Strain Relief-Red | 1 | | 004200 | 004200 |
| 3 | • Seal, Cord Asm | 1 | | 004322 | 004322 |
| 4 | Cord Term & Seal 20' | 1 | | 014530 | 014530 |
| 5 | • Screw, #8-32x2.563 Rhpl-Stlbo | 2 | | 001914 | 001914 |
| 6 | Stator w/Screws | 1 | | 014532 | 018179 |
| 7 | Rotor Asm 115/230V/1Ph | 1 | | 014536 | 018182 |
| 8 | • Seal, Motor Housing | 1 | | 034007 | 034007 |
| 9 | Bearing, Radial | 1 | | 009540 | 009540 |
| 10 | • Oil, Dielectric (30.5 oz can) | 1 | | 007051 | 007051 |
| 11 | Housing, Pump-Mach | 1 | | 014229 | 018202 |
| 12 | • Seal Asm | 1 | | 011681 | 011681 |
| 13 | Impeller | 1 | | 013243 | 013243 |
| 14 | Base-Mach | 1 | | 014230 | 154547 |
| 15 | Cover Handle | 1 | | 002580 | 002580 |
| 16 | • Plug, Test-White | 2 | | 034090 | 034090 |
| 17 | • Screw #10-24x.75 RHM-SI SS | 12 | | 001885 | 001885 |
| 18 | • Screw #6-32x.25 RHM SI Tc Stlgr | 1 | | 001877 | 001877 |
| 19 | • Seal, Thru-Wall Term | 2 | | 003402 | 003402 |
| 20 | Housing, Motor | 1 | | 004712 | 004712 |
| 21 | Float Switch | 1 | | 009819 | 009819 |
| ▣ | Rebuild Kit | 1 | | 014538 | 014538 |

• Items included in Rebuild Kit. ▣ Not shown in illustration. SEE NOTES AT RIGHT.

REPLACEMENT PARTS LIST FOR MODEL "WM152"

| MODEL: | | | | | |
|----------|-----------------------------------|------|-------|------------------|--------------------|
| REF. NO. | DESCRIPTION | QTY. | NOTES | WM152-A | WM152-B |
| | | | | 06/03 thru 10/06 | 11/06 thru Current |
| 1 | • Gasket, Case Cover | 1 | | 034046 | 034046 |
| 2 | • Clamp, Strain Relief-Red | 1 | | 001770 | 001770 |
| 3 | • Screw, #8-32x2.563 Rhpl-Stlbo | 2 | | 001914 | 001914 |
| 4 | Stator w/Screws | 1 | | 014532 | 018179 |
| 5 | Rotor Asm 115/230V/1Ph | 1 | | 014536 | 018182 |
| 6 | • Seal, Motor Housing | 1 | | 034007 | 034007 |
| 7 | Bearing, Radial | 1 | | 009540 | 009540 |
| 8 | • Oil, Dielectric (30.5 oz can) | 1 | | 007051 | 007051 |
| 9 | Housing, Pump-Mach | 1 | | 014229 | 018202 |
| 10 | • Seal Asm | 1 | | 011681 | 011681 |
| 11 | Impeller | 1 | | 013243 | 013243 |
| 12 | Base-Mach | 1 | | 014230 | 154547 |
| 13 | Cover Handle | 1 | | 002580 | 002580 |
| 14 | • Plug, Test-White | 2 | | 034090 | 034090 |
| 15 | • Screw #10-24x.75 RHM-SI SS | 12 | | 001885 | 001885 |
| 16 | • Screw #6-32x.25 RHM SI Tc Stlgr | 1 | | 001877 | 001877 |
| 17 | • Seal, Thru-Wall Term | 2 | | 003402 | 003402 |
| 18 | Housing, Motor | 1 | | 004712 | 004712 |
| 19 | Float rod stop-mech sw | 2 | | 009120 | 009120 |
| 20 | Float, mech switch | 1 | | 009119 | 009119 |
| 21 | Rod, float-vert switch | 1 | | 010499 | 010499 |
| 22 | Float rod retaining pin | 1 | | 009121 | 009121 |
| 23 | Hardware pack, vert sw | 1 | | 010532 | 010532 |
| 24 | • Seal, cord-asm | 1 | | 011562 | 011562 |
| 25 | Switch & cord, seal asm | 1 | | 011563 | 011563 |
| ▣ | Rebuild Kit | 1 | | 019353 | 019353 |

NOTES :

- 1) See FM0160 Parts Price Sheet for listing of parts prices.
- 2) "NA" indicates, not applicable.

REPLACEMENT PARTS LIST FOR MODEL "E152"

| | | | MODEL: | E152-A | E152-B |
|----------|-----------------------------------|------|--------|------------------|--------------------|
| REF. NO. | DESCRIPTION | QTY. | NOTES | 04/01 thru 05/07 | 06/07 thru Current |
| 1 | • Gasket, Case Cover | 1 | | 034046 | 034046 |
| 2 | • Clamp, Strain Relief-Red | 1 | | 004200 | 004200 |
| 3 | • Seal, Cord Asm | 1 | | 014597 | 014597 |
| 4 | Cord Term & Seal 20' | 1 | | 014531 | 014531 |
| 5 | • Screw, #8-32x2.563 Rhpl-Stlbo | 2 | | 001914 | 001914 |
| 6 | Stator w/Screws | 1 | | 014533 | 018180 |
| 7 | Rotor Asm 115/230V/1Ph | 1 | | 014536 | 018182 |
| 8 | • Seal, Motor Housing | 1 | | 034007 | 034007 |
| 9 | Bearing, Radial | 1 | | 009540 | 009540 |
| 10 | • Oil, Dielectric (30.5 oz can) | 1 | | 007051 | 007051 |
| 11 | Housing, Pump-Mach | 1 | | 014229 | 018202 |
| 12 | • Seal Asm | 1 | | 011681 | 011681 |
| 13 | Impeller | 1 | | 013243 | 013243 |
| 14 | Base-Mach | 1 | | 014230 | 154547 |
| 15 | Cover Handle | 1 | | 002580 | 002580 |
| 16 | • Plug, Test-White | 2 | | 034090 | 034090 |
| 17 | • Screw #10-24x.75 RHM-SI SS | 12 | | 001885 | 001885 |
| 18 | • Screw #6-32x.25 RHM SI Tc Stlgr | 1 | | 001877 | 001877 |
| 19 | • Seal, Thru-Wall Term | 2 | | 003402 | 003402 |
| 20 | Housing, Motor | 1 | | 004712 | 004712 |
| 21 | Float Switch | 1 | 2 | N/A | N/A |
| ▫ | Rebuild Kit | 1 | | 014539 | 014539 |

NOTES :

- 1) See FM0160 Parts Price Sheet for listing of parts prices.
- 2) "NA" indicates, not applicable.

REPLACEMENT PARTS LIST FOR MODEL "BE152"

| | | | MODEL: | BE152-A | BE152-B |
|----------|-----------------------------------|------|--------|------------------|--------------------|
| REF. NO. | DESCRIPTION | QTY. | NOTES | 02/01 thru 05/07 | 06/07 thru Current |
| 1 | • Gasket, Case Cover | 1 | | 034046 | 034046 |
| 2 | • Clamp, Strain Relief-Red | 1 | | 004200 | 004200 |
| 3 | • Seal, Cord Asm | 1 | | 014597 | 014597 |
| 4 | Cord Term & Seal 20' | 1 | | 014531 | 014531 |
| 5 | • Screw, #8-32x2.563 Rhpl-Stlbo | 2 | | 001914 | 001914 |
| 6 | Stator w/Screws | 1 | | 014533 | 018180 |
| 7 | Rotor Asm 115/230V/1Ph | 1 | | 014536 | 018182 |
| 8 | • Seal, Motor Housing | 1 | | 034007 | 034007 |
| 9 | Bearing, Radial | 1 | | 009540 | 009540 |
| 10 | • Oil, Dielectric (30.5 oz can) | 1 | | 007051 | 007051 |
| 11 | Housing, Pump-Mach | 1 | | 014229 | 018202 |
| 12 | • Seal Asm | 1 | | 011681 | 011681 |
| 13 | Impeller | 1 | | 013243 | 013243 |
| 14 | Base-Mach | 1 | | 014230 | 154547 |
| 15 | Cover Handle | 1 | | 002580 | 002580 |
| 16 | • Plug, Test-White | 2 | | 034090 | 034090 |
| 17 | • Screw #10-24x.75 RHM-SI SS | 12 | | 001885 | 001885 |
| 18 | • Screw #6-32x.25 RHM SI Tc Stlgr | 1 | | 001877 | 001877 |
| 19 | • Seal, Thru-Wall Term | 2 | | 003402 | 003402 |
| 20 | Housing, Motor | 1 | | 004712 | 004712 |
| 21 | Float Switch | 1 | | 10-0559 | 10-0559 |
| ▫ | Rebuild Kit | 1 | | 014539 | 014539 |

• Items included in Rebuild Kit. ▫ Not shown in illustration. SEE NOTES AT RIGHT.

REPLACEMENT PARTS LIST FOR MODEL "N153"

| | | | MODEL: | N153-A | N153-B |
|----------|-----------------------------------|------|--------|------------------|--------------------|
| REF. NO. | DESCRIPTION | QTY. | NOTES | 11/00 thru 10/06 | 11/06 thru Current |
| 1 | • Gasket, Case Cover | 1 | | 034046 | 034046 |
| 2 | • Clamp, Strain Relief-Red | 1 | | 004200 | 004200 |
| 3 | • Seal, Cord Asm | 1 | | 004322 | 004322 |
| 4 | Cord Term & Seal 20' | 1 | | 014530 | 014530 |
| 5 | • Screw, #8-32x2.563 Rhpl-Stlbo | 2 | | 001914 | 001914 |
| 6 | Stator w/Screws | 1 | | 014534 | 018179 |
| 7 | Rotor Asm 115/230V/1Ph | 1 | | 014537 | 018182 |
| 8 | • Seal, Motor Housing | 1 | | 034007 | 034007 |
| 9 | Bearing, Radial | 1 | | 009540 | 009540 |
| 10 | • Oil, Dielectric (30.5 oz can) | 1 | | 007051 | 007051 |
| 11 | Housing, Pump-Mach | 1 | | 014229 | 018202 |
| 12 | • Seal Asm | 1 | | 011681 | 011681 |
| 13 | Impeller | 1 | | 014457 | 014457 |
| 14 | Base-Mach | 1 | | 014230 | 154547 |
| 15 | Cover Handle | 1 | | 002580 | 002580 |
| 16 | • Plug, Test-White | 2 | | 034090 | 034090 |
| 17 | • Screw #10-24x.75 RHM-SI SS | 12 | | 001885 | 001885 |
| 18 | • Screw #6-32x.25 RHM SI Tc Stlgr | 1 | | 001877 | 001877 |
| 19 | • Seal, Thru-Wall Term | 2 | | 003402 | 003402 |
| 20 | Housing, Motor | 1 | | 004712 | 004712 |
| 21 | Float Switch | 1 | 2 | N/A | N/A |
| ▫ | Rebuild Kit | 1 | | 014538 | 014538 |

NOTES :

- 1) See FM0160 Parts Price Sheet for listing of parts prices.
- 2) "NA" indicates, not applicable.

REPLACEMENT PARTS LIST FOR MODEL "BN153"

| | | | MODEL: | BN153-A | BN153-B |
|----------|-----------------------------------|------|--------|------------------|--------------------|
| REF. NO. | DESCRIPTION | QTY. | NOTES | 11/00 thru 10/06 | 11/06 thru Current |
| 1 | • Gasket, Case Cover | 1 | | 034046 | 034046 |
| 2 | • Clamp, Strain Relief-Red | 1 | | 004200 | 004200 |
| 3 | • Seal, Cord Asm | 1 | | 004322 | 004322 |
| 4 | Cord Term & Seal 20' | 1 | | 014530 | 014530 |
| 5 | • Screw, #8-32x2.563 Rhpl-Stlbo | 2 | | 001914 | 001914 |
| 6 | Stator w/Screws | 1 | | 014534 | 018179 |
| 7 | Rotor Asm 115/230V/1Ph | 1 | | 014537 | 018182 |
| 8 | • Seal, Motor Housing | 1 | | 034007 | 034007 |
| 9 | Bearing, Radial | 1 | | 009540 | 009540 |
| 10 | • Oil, Dielectric (30.5 oz can) | 1 | | 007051 | 007051 |
| 11 | Housing, Pump-Mach | 1 | | 014229 | 018202 |
| 12 | • Seal Asm | 1 | | 011681 | 011681 |
| 13 | Impeller | 1 | | 014457 | 014457 |
| 14 | Base-Mach | 1 | | 014230 | 154547 |
| 15 | Cover Handle | 1 | | 002580 | 002580 |
| 16 | • Plug, Test-White | 2 | | 034090 | 034090 |
| 17 | • Screw #10-24x.75 RHM-SI SS | 12 | | 001885 | 001885 |
| 18 | • Screw #6-32x.25 RHM SI Tc Stlgr | 1 | | 001877 | 001877 |
| 19 | • Seal, Thru-Wall Term | 2 | | 003402 | 003402 |
| 20 | Housing, Motor | 1 | | 004712 | 004712 |
| 21 | Float Switch | 1 | | 009819 | 009819 |
| ▫ | Rebuild Kit | 1 | | 014538 | 014538 |

• Items included in Rebuild Kit. ▫ Not shown in illustration. SEE NOTES AT RIGHT.

REPLACEMENT PARTS LIST FOR MODEL "E153"

| | | | MODEL: | E153-A | E153-B |
|----------|-----------------------------------|------|--------|------------------|--------------------|
| REF. NO. | DESCRIPTION | QTY. | NOTES | 03/01 thru 05/07 | 06/07 thru Current |
| 1 | • Gasket, Case Cover | 1 | | 034046 | 034046 |
| 2 | • Clamp, Strain Relief-Red | 1 | | 004200 | 004200 |
| 3 | • Seal, Cord Asm | 1 | | 014597 | 014597 |
| 4 | Cord Term & Seal 20' | 1 | | 014531 | 014531 |
| 5 | • Screw, #8-32x2.563 Rhpl-Stlbo | 2 | | 001914 | 001914 |
| 6 | Stator w/Screws | 1 | | 014535 | 018180 |
| 7 | Rotor Asm 115/230V/1Ph | 1 | | 014537 | 018182 |
| 8 | • Seal, Motor Housing | 1 | | 034007 | 034007 |
| 9 | Bearing, Radial | 1 | | 009540 | 009540 |
| 10 | • Oil, Dielectric (30.5 oz can) | 1 | | 007051 | 007051 |
| 11 | Housing, Pump-Mach | 1 | | 014229 | 018202 |
| 12 | • Seal Asm | 1 | | 011681 | 011681 |
| 13 | Impeller | 1 | | 014457 | 014457 |
| 14 | Base-Mach | 1 | | 014230 | 154547 |
| 15 | Cover Handle | 1 | | 002580 | 002580 |
| 16 | • Plug, Test-White | 2 | | 034090 | 034090 |
| 17 | • Screw #10-24x.75 RHM-SI SS | 12 | | 001885 | 001885 |
| 18 | • Screw #6-32x.25 RHM SI Tc Stlgr | 1 | | 001877 | 001877 |
| 19 | • Seal, Thru-Wall Term | 2 | | 003402 | 003402 |
| 20 | Housing, Motor | 1 | | 004712 | 004712 |
| 21 | Float Switch | 1 | 2 | N/A | N/A |
| ⌘ | Rebuild Kit | 1 | | 014539 | 014539 |

NOTES :

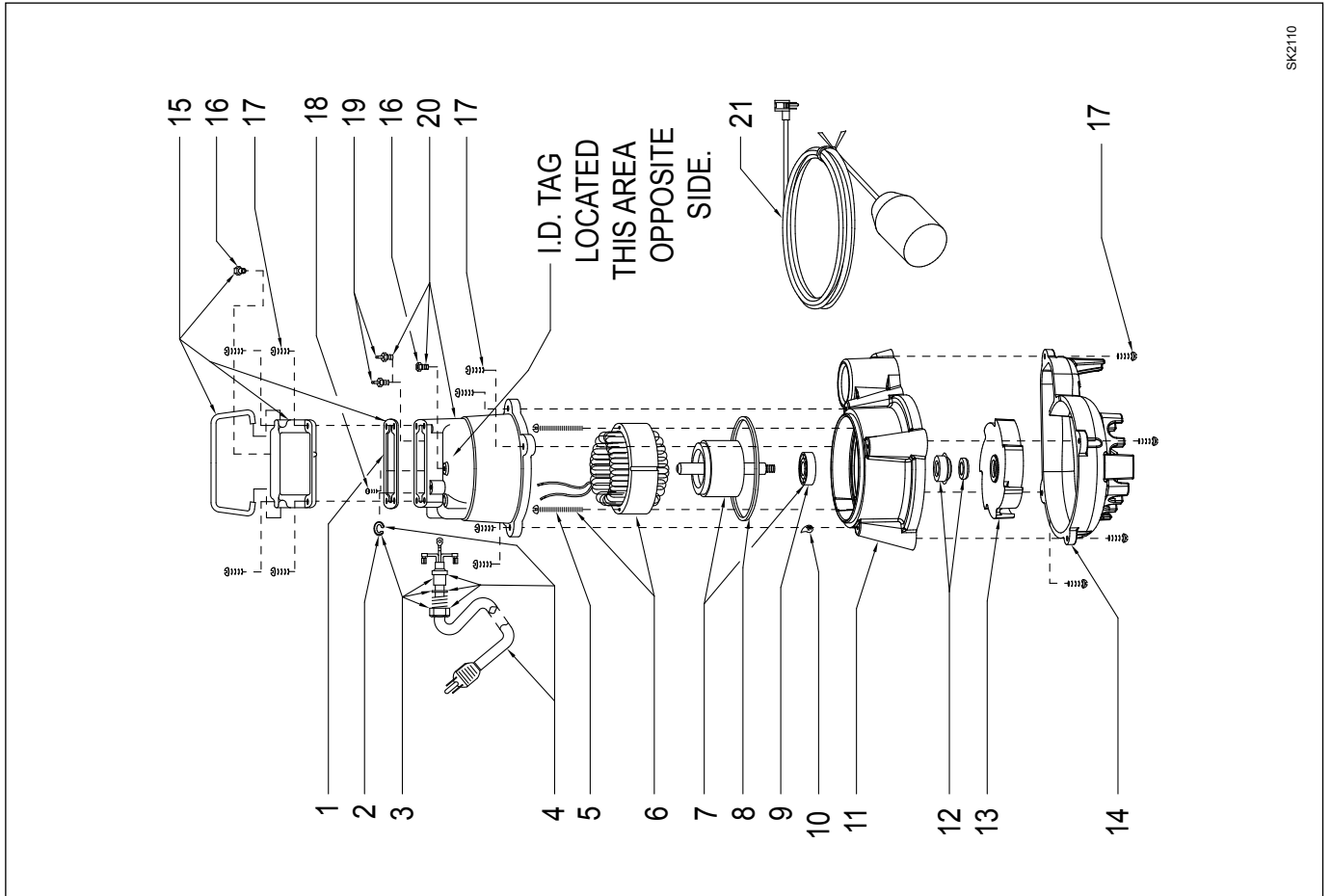
- 1) See FM0160 Parts Price Sheet for listing of parts prices.
- 2) "NA" indicates, not applicable.

REPLACEMENT PARTS LIST FOR MODEL "BE153"

| | | | MODEL: | BE153-A | BE153-B |
|----------|-----------------------------------|------|--------|------------------|--------------------|
| REF. NO. | DESCRIPTION | QTY. | NOTES | 04/01 thru 05/07 | 06/07 thru Current |
| 1 | • Gasket, Case Cover | 1 | | 034046 | 034046 |
| 2 | • Clamp, Strain Relief-Red | 1 | | 004200 | 004200 |
| 3 | • Seal, Cord Asm | 1 | | 014597 | 014597 |
| 4 | Cord Term & Seal 20' | 1 | | 014531 | 014531 |
| 5 | • Screw, #8-32x2.563 Rhpl-Stlbo | 2 | | 001914 | 001914 |
| 6 | Stator w/Screws | 1 | | 014535 | 018180 |
| 7 | Rotor Asm 115/230V/1Ph | 1 | | 014537 | 018182 |
| 8 | • Seal, Motor Housing | 1 | | 034007 | 034007 |
| 9 | Bearing, Radial | 1 | | 009540 | 009540 |
| 10 | • Oil, Dielectric (30.5 oz can) | 1 | | 007051 | 007051 |
| 11 | Housing, Pump-Mach | 1 | | 014229 | 018202 |
| 12 | • Seal Asm | 1 | | 011681 | 011681 |
| 13 | Impeller | 1 | | 014457 | 014457 |
| 14 | Base-Mach | 1 | | 014230 | 154547 |
| 15 | Cover Handle | 1 | | 002580 | 002580 |
| 16 | • Plug, Test-White | 2 | | 034090 | 034090 |
| 17 | • Screw #10-24x.75 RHM-SI SS | 12 | | 001885 | 001885 |
| 18 | • Screw #6-32x.25 RHM SI Tc Stlgr | 1 | | 001877 | 001877 |
| 19 | • Seal, Thru-Wall Term | 2 | | 003402 | 003402 |
| 20 | Housing, Motor | 1 | | 004712 | 004712 |
| 21 | Float Switch | 1 | | 10-0559 | 10-0559 |
| ⌘ | Rebuild Kit | 1 | | 014539 | 014539 |

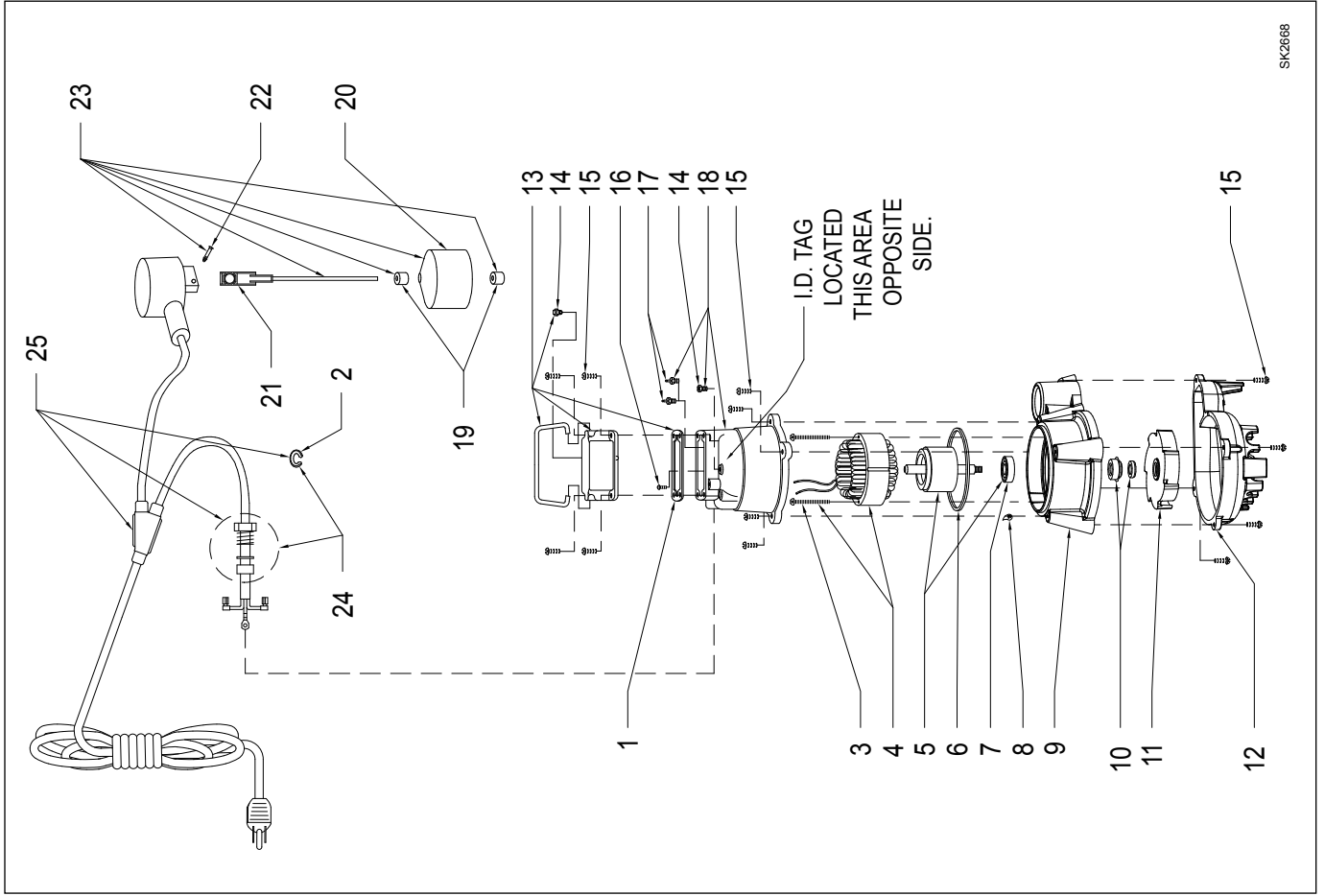
• Items included in Rebuild Kit. ⌘ Not shown in illustration. SEE NOTES AT RIGHT.

REPLACEMENT PARTS ILLUSTRATION FOR ALL MODELS EXCEPT "WM152"



SK2110

REPLACEMENT PARTS ILLUSTRATION FOR MODEL "WM152"



SK2688